



TRECKER[®]

by **WELLS CARGO**

Right on Course!



Enclosed Cargo

TRAILERS

Standard Models

4'W



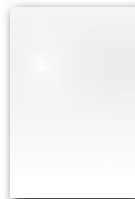
5'W



6'W



The **TC TRECKER** makes your fun more fun and your work more productive. All your gear is locked up weather tight ready for the next challenge. Specifically engineered for smaller tow vehicles, the **TC TRECKER's** unique design delivers carefree towing and easy maneuverability. The all steel frame, Torflex® axles, and top-notch components means your **TC TRECKER** will provide years of dependable service. Loaded with quality features not found on other trailers in its class, the **TC TRECKER** is a great value now and at resale time.



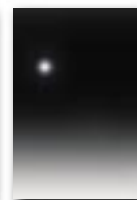
White

Standard — White Galvanealed Steel

Optional — .030 Prefinished Aluminum Skin



Victory Red



Black



Pewter



Indigo Blue



Champagne



Dove Gray



Dark Green



Brandywine



Beige



Charcoal Gray



Standard Features



Model TC5101 shown with Motorcycle Package including: Rear Ramp Door, Swing Down Jacks, Side Entry Door, ATP Stone Guard, Sidewall Vents, Tie-Downs & Wheel Chock.

- 3' Long Step-up A-Frame
- 2" Ball Coupler Hitch
- 1000 lb. Jack Ram with Foot Pad*
- Safety Chains to D.O.T. Standards
- 4-way Hitch Plug
- Tubular Steel Main Rails
- Full Height Steel C-channel Crossmembers
- Vertical Posts on 24" Centers
- Formed Steel Rear Cornerposts and Rear Door Header
- Tubular Steel Roof Trusses on 24" Centers
- Entire Chassis & All Exposed Steel Primed/Painted
- Torflex® Rubber Torsion Suspension
- Bias Belted Tires
- E-Coated White Spoke Wheels
- 12V Wiring Channeled Inside Frame Tubing (Weather-Protected)
- 12V Incandescent Clearance Lights
- 12V Incandescent Sealed Beam Tail Lights
- 1/4" Plywood Interior Sidewall Liner (full height)
- 3/4" Plywood Floor Undercoated
- Galvanealed Steel Exterior Skin (white standard)
- Galvanized Steel Roof
- Galvanized Steel Radius Fenders
- Corrosion Resistant Exterior Fasteners
- Double Rear Doors**
- Full Length Cam Lock with Security Hasp
- Extruded Aluminum Drip Rail
- License Plate Light

*Not included on 4' x 6' model

**Single rear door on 4' x 6' model

MODEL	TC461	TC581	TC5101	TC6101	TC6121
Overall: Length	9'9"	11'7"	13'7"	13'7"	15'7"
Overall: Width	5'10"	6'10"	6'10"	7'10"	7'10"
Overall: Height	5'11"	6'5"	6'11"	7'6"	7'6"
Body: Length	6'6"	8'6"	10'6"	10'6"	12'6"
Body: Width	4'0"	5'0"	5'0"	6'0"	6'0"
Interior: Length	6'3"	8'3"	10'3"	10'3"	12'3"
Interior: Width	3'9"	4'9"	4'9"	5'9"	5'9"
Interior: Height	4'5"	4'11"	5'5"	5'11"	5'11"
Axles: Quantity	Single	Single	Single	Single	Single
Axles: Type	Torflex®	Torflex®	Torflex®	Torflex®	Torflex®
Platform Height	16"	16"	16"	17"	17"
Hitch to Top of Ball	15"	15"	15"	16"	16"
Tire: Type	Bias	Bias	Bias	Bias	Bias
Tire: Size	13"	13"	13"	14"	14"
Tire: Load Range	B	B	B	C	C
Wheel Bolt Pattern	5	5	5	5	5
Hitch Ball Size	2"	2"	2"	2"	2"
GVWR (lb.)	2000	2000	2000	2990	2990
Curb Weight (lb.)	580	800	900	970	1160
Hitch Weight	10%-15%	10%-15%	10%-15%	10%-15%	10%-15%
Payload Capacity (lb.)	1420	1200	1100	2020	1830
Rear Door: Style	Single	Double	Double	Double	Double
Rear Door: W x H	37" x 49"	49" x 55"	49" x 61"	61" x 67"	61" x 67"
Exterior Skin (White)	Galvanealed Steel	Galvanealed Steel	Galvanealed Steel	Galvanealed Steel	Galvanealed Steel
12 Volt Connector	4-way	4-way	4-way	4-way	4-way
Jack Ram & Foot Pad	No	Yes	Yes	Yes	Yes

Standard Features, Specifications & Dimensions subject to change without notice.

1-Year Warranty



V-Front Models

The New **SHAPE** of Utility!



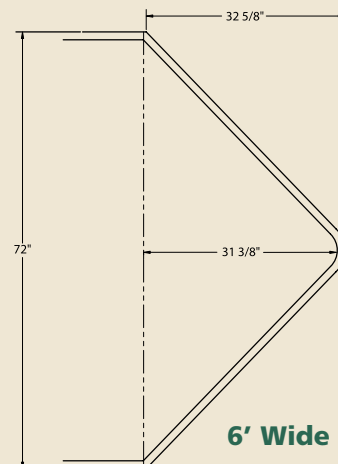
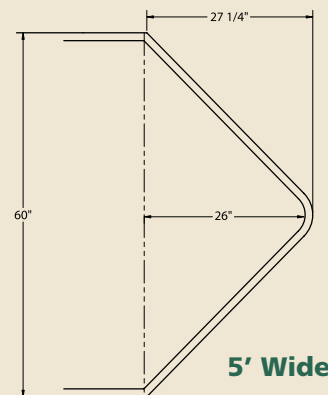
Model TC581-V

Model TC6101-V

V-FRONT MODELS	TC581-V	TC5101-V	TC6101-V	TC6121-V
Overall: Length	12'4"	14'4"	14'9"	16'9"
Overall: Width	6'10"	6'10"	7'10"	7'10"
Overall: Height	6'5"	6'11"	7'6"	7'6"
Body: Length	10'4"	12'4"	12'9"	14'9"
Body: Width	5'0"	5'0"	6'0"	6'0"
Interior: Length	9'11"	11'11"	12'5"	14'5"
Interior: Width	4'9"	4'9"	5'9"	5'9"
Interior: Height	4'11"	5'5"	5'11"	5'11"
Axles: Quantity	Single	Single	Single	Single
Axles: Type	Torflex®	Torflex®	Torflex®	Torflex®
Platform Height	16"	16"	17"	17"
Hitch to Top of Ball	15"	15"	16"	16"
Tire: Type	Bias	Bias	Bias	Bias
Tire: Size	13"	13"	14"	14"
Tire: Load Range	B	B	C	C
Wheel Bolt Pattern	5	5	5	5
Hitch Ball Size	2"	2"	2"	2"
GVWR (lb.)	2000	2000	2990	2990
Curb Weight (lb.)	860	960	1050	1240
Hitch Weight	10%-15%	10%-15%	10%-15%	10%-15%
Payload Capacity (lb.)	1140	1040	1940	1750
Rear Door: Style	Double	Double	Double	Double
Rear Door: W x H	49" x 55"	49" x 61"	61" x 67"	61" x 67"
Exterior Skin (White)	Galvanealed Steel	Galvanealed Steel	Galvanealed Steel	Galvanealed Steel
12 Volt Connector	4-way	4-way	4-way	4-way
Jack Ram & Foot Pad	Yes	Yes	Yes	Yes

Standard Features, Specifications & Dimensions subject to change without notice.

V-FRONT DIMENSIONS



©Wells Cargo, Inc. 2004 Form TRECKER1204R105